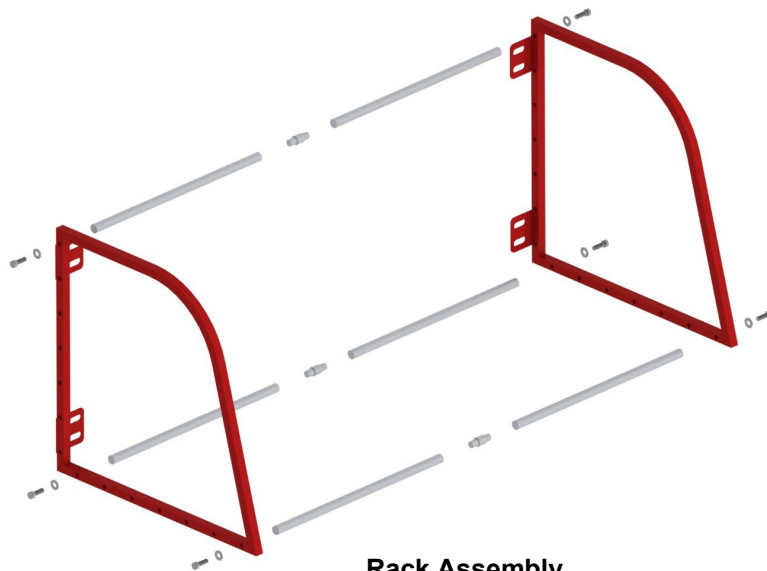
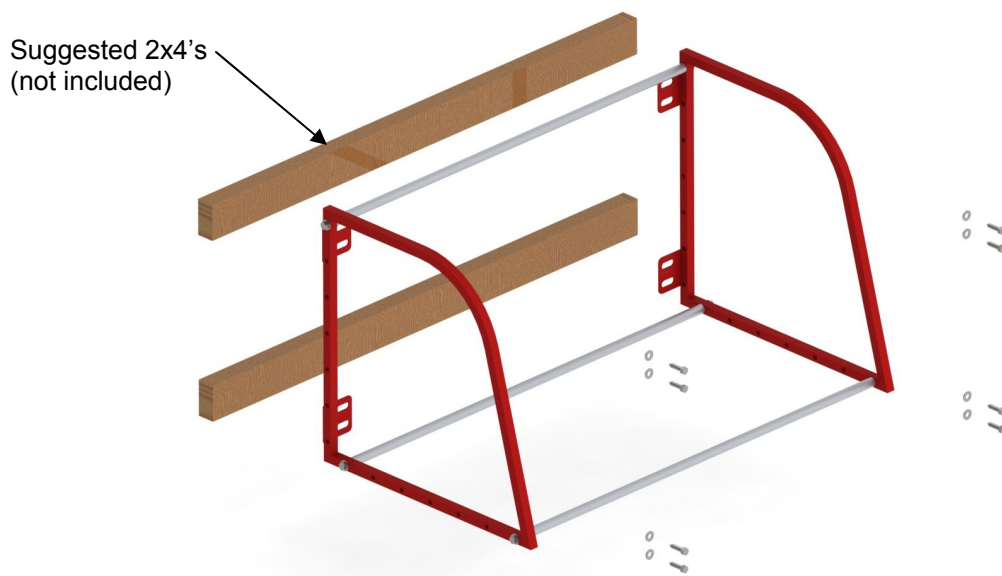


Installation Instructions for 80386 Tire Storage Rack

- Can be adjusted for various tire heights by changing the locations of the cross bars.
- Assemble the rack with the mounting plates of the red end pieces toward the center or inside of the unit. By doing so, the unit is now compatible with 16, 24 and 48" vertical stud centerlines.
- We do however recommend that you attach two horizontal 2" x 4" studs (purchased separately at your local hardware store) to the vertical wall studs and then attach the tire rack to the horizontal studs for additional strength and security.
- We include assembly hardware and some mounting hardware however additional or different mounting hardware (purchased separately at your local hardware store) may be needed depending on the total weight (including wheels and tires) and the type of mounting or attaching surface. **Warning: do not mount the tire rack directly to drywall, trailer wall panel material etc. Always attach the rack to the studs otherwise property damage and/or personal injury may occur.**



Rack Assembly



Rack Mounting