

# Installation Instructions for 80035 Wheel Dollies

## SAVE THIS MANUAL FOR FUTURE REFERENCE

Your new 1000 lb WHEEL DOLLY has been engineered and manufactured by our company with high standards for dependability, ease of operation and operator safety. Please pay close attention to the rules for safe operation, warnings and cautions. If you use this machine properly and only for what it is intended, you will enjoy years of safe and reliable service.

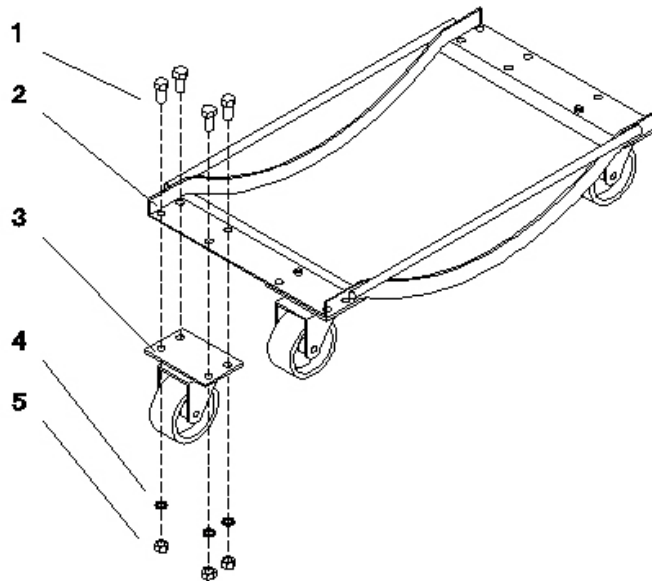
### INSTALLATION INSTRUCTIONS:

1. Before assembling, please take a moment to lay parts out and familiarize yourself with the drawing and parts list below.
2. Attach 4 wheels to each dolly with the bolts (M8x16), nuts (M8) and washers as shown in the drawing. NOTE: Bolt head is on top, the nut and washer is installed on the under side of dolly. Make sure each fastener is tightened securely.
3. When assembly is complete dollies can be used to maneuver vehicles on flat concrete surfaces.

### NOTE:

1. Make sure to use the dolly on a flat level surface to minimize the possibility of the vehicle moving.
2. Note that wind and/or other forces can cause a vehicle to move if the dollies are not secured by using wheel chocks or some other method.
3. Each dolly can support 1000lb, do not overload.
4. Do not work under a vehicle that is supported by wheel dollies. Always use Jack Stands to support a vehicle while working underneath.

### Assembly Drawing:



PART	DESCRIPTION	QTY
1	Bolt M8x16	32
2	Frame	2
3	3½" Wheel	8
4	ø8 Spring Washer	32
5	M8 Nut	32