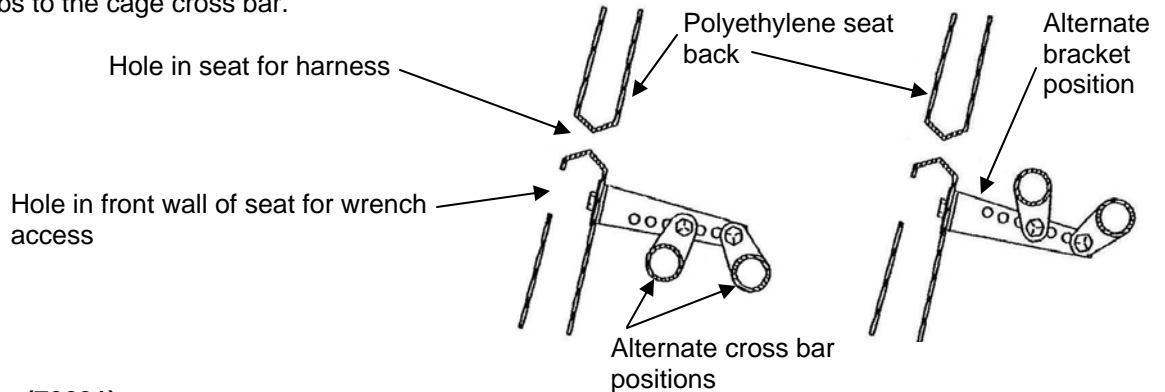


Installation Instructions for 70290, 70291 & 70292 Seat Back Mounting Brackets

Installation Instructions:

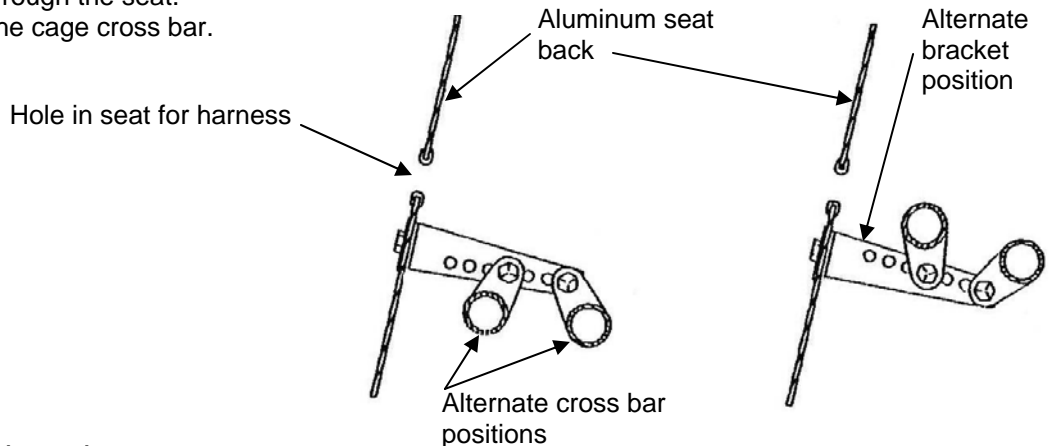
for Polyethylene Seats (70290):

1. With the seat in the desired position; determine the best bracket position to avoid interfering with the harness.
2. Hold the bracket in place and mark the seat through the bracket holes.
3. Drill 5/16" holes through the seat.
4. Use a hole saw to cut a hole in the front wall **ONLY** of the seat back for bolt, washer, and wrench access.
5. Weld the tabs to the cage cross bar.



for Aluminum Seats (70291):

1. With the seat in the desired position; determine the best bracket position to avoid interfering with the harness.
2. Hold the bracket in place and mark the seat through the bracket holes.
3. Drill 5/16" holes through the seat.
4. Weld the tabs to the cage cross bar.



for Non-Adjustable Seat (70292):

1. With the seat in the desired position; determine the best bracket position to avoid interfering with the harness.
2. Hold the bracket in place and mark the seat through the bracket holes.
3. Drill 5/16" holes through the seat.
4. Weld the entire bracket to the cage cross bar.

