

52115 11" DUAL 225 watt Fan Assembly Instructions

MOUNTING DIRECTIONS:

We do not recommend the use of nylon tie kits or any other "through core" mounting methods for this fan assembly. The 225 watt motors used in this dual fan assembly are too heavy and produce too much starting torque to be supported by the radiator fins. We recommend drilling 1/4" or 5/16" holes through the top and bottom mounting flanges and U-channels of the radiator taking care not to damage the radiator core. We recommend the use of 6 mounting points (3 top & 3 bottom) to affix the fan assembly to the radiator. A minimum of 4 mounting points are required. We also recommend using nylon locking nuts with the appropriate metal bolts to prevent the nuts from backing out due to vibration. (See Fig. 1)

The fans contained in this assembly are assembled in puller configuration from the factory and are not reversible. Take care to notice that the assembly has a top and bottom orientation where the air vent doors hang down.

We recommend the use of a thermostatic fan relay harness with at least a 30 Amp relay and fuse for each fan in the assembly. Recommended wire gauge is 12 AWG.

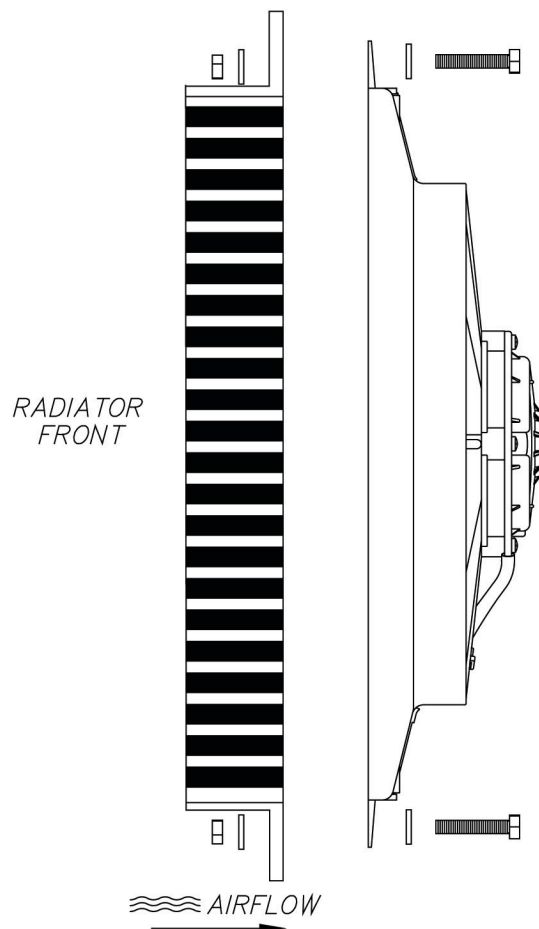


Fig 1

SPECIFICATIONS	
MOTOR	225 watt HEAVY DUTY
AIR FLOW @ 0"STATIC	2,760 CFM
SIZE	15.75"w x 23.5"h
DEPTH	3.80"
AMP DRAW	22 (11A per fan)

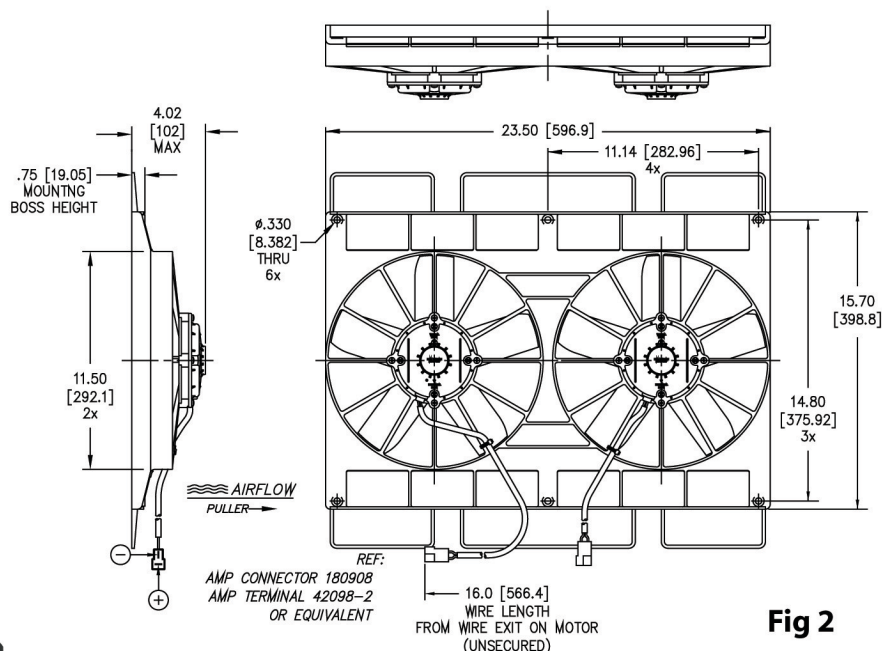


Fig 2



1-800-345-4545

JEGS.COM