

Installation Instructions for 30501 2-1/2" Dual Exhaust Kit w/o Turbo Mufflers

Application: A-body, '67-74 Dart/Duster/Demon/Valiant, '67-69 Barracuda, all with V8, standard Hooker Competition headers (otherwise modifications may be necessary), and with 3" collectors at the headers.

NOTE: For those with 3-1/2" collectors, you will need to purchase an additional header collector kit.

NOTE: The headers and mufflers are not included in this kit!! We recommend use of Hooker competition headers. Modifications may need to be made for different styles of headers, including cutting and welding. For vehicles with 3-1/2" collectors, you will need to order a 3-1/2" header collector kit, part # 30006 (trimming of 1 collector will be required).

Hardware Kit Includes:

- 2) LB4 Hangers
- 12) 2-1/2" Clamps
- 2) 5/16" x 1" Bolts
- 2) 5/16" x 1" Lag Screws
- 2) Snapper Grommets
- 2) BR91930 Swinger Hangers
- 2) #MP48005 3" Collector Gaskets
- 2) 5/16" x 1-1/2" Bolts
- 6) 3/8" x 1-1/4" Bolts
- 4) 5/16" Lock Washers
- 6) 3/8" Lockwashers
- 6) 3/8" Nuts
- 4) 5/16" Nuts
- 2) F33 Flanges

Pipe Kit Includes:

- 1) Left Front Extension Pipe--#8158741
- 1) Right Front Extension Pipe--#8158742
- 1) Left Rear Extension Pipe--#8158743
- 1) Right Rear Extension Pipe--#8158744
- 1) Left Tail Pipe--#8158747
- 1) Right Tail Pipe--#8158748
- 1) Left Over-The-Axle Pipe--#8158745
- 1) Right Over-The-Axle Pipe--#8158746
- 1) Short Header Collector, Passenger Side--#8158749
- 1) Regular Header Collector, Driver Side

DANGER WARNING:

Should the purchaser decide to install this exhaust product at home, be warned that pleasure car or light duty truck/van "bumper" jacks are intended for emergency use only. The use of frame contact jack stands in conjunction with a floor jack as main support is highly recommended to minimize accidental dropping of a vehicle while the installation proceeds. We recommend the use of a shop hoist if possible. Please use caution!

Limitation of Liability--Disclaimers: The regulation of emissions production, noise levels and safety standards is undertaken by the federal government, each of the fifty state legislatures, and by many local municipalities, towns and counties.

The manufacturer makes no warranties of merchantability, of fitness for a particular purpose, or that its products are approved for general use, or that its products comply with laws, regulations or ordinances in the states where they may be sold to the ultimate purchaser, the consumer.

The entire risk as to the conformity of this product in any such state and as to repair, should the product prove to be defective or non-conforming, is on the retail purchaser, the buyer, the ultimate consumer of such product and it is not upon the seller, distributor, or manufacturer.

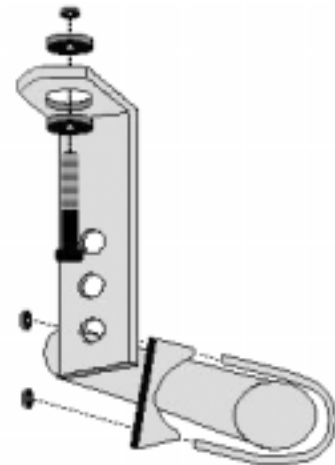
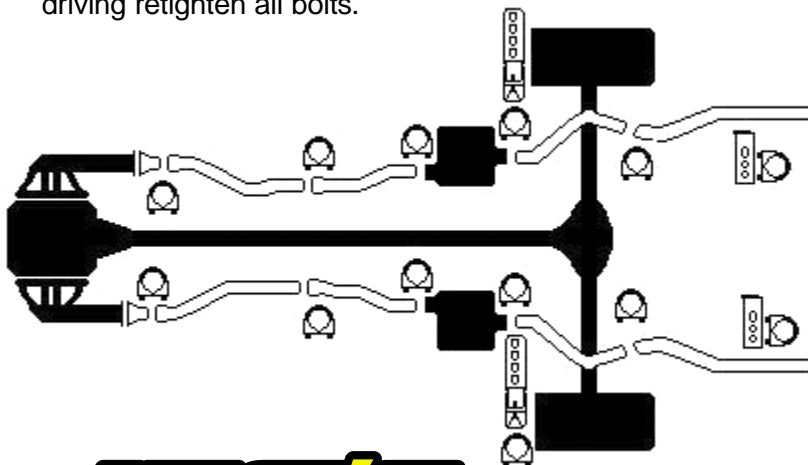
In this connection, retail purchaser, the buyer, the ultimate consumer assumes the burden of the entire



1-800-345-4545 **jegs.com**

NOTE: DO NOT TIGHTEN ANY BOLTS OR CLAMPS UNTIL THE LAST STEP!

1. Raise the automobile in a safe and suitable manner--support with jack stands onto the frame.
2. Remove the old exhaust system after the headers. Remove the old hangers and brackets if desired. New universal hangers are included in this kit to replace the original hangers.
3. Install the collectors to the headers using the MP48005 gaskets and F33 flanges, and enclosed hardware. Tighten these at this time, using the 3/8" x 1-1/4" bolts and nuts. The driver side takes the long header collector, the passenger side the short (to clear cross member).
4. Install the I.D. ends of the left (#8158741—2 bends) and right (#8158742—3 bends) front extension pipes to the collectors using 2-1/2" clamps. Be sure to leave adequate clearance between the floor boards, the drive shaft, and the crossmember. The right front extension pipe should just clear the recess in the crossmember. NOTE: If these pipes do not fit your headers, you may need to modify as necessary (cut and weld) for fit. These kits were designed for use with hooker competition headers.
5. Install the I.D. ends of the left (#8158743—3 bends) and right (#8158744—2 bends) rear extension pipes to the left and right front extension pipes, using 3" clamps.
6. Install the mufflers (offset in, towards drive shaft/center out, not included) onto the rear extension pipes using 2-1/2" clamps. Rotate the extension pipes to clear the driveshaft, and frame, and general clearance.
7. Install the BR91930 hangers to the vehicle. If your vehicle has factory, dual exhaust and the hanger bracket on both sides use a 5/16" nut, bolt, lock, and fender washer to install the hanger to the O.E. bracket. If your vehicle does not have the O.E. bracket on the passenger side, you will need to drill a hole or holes in the floor boards and either use the enclosed lag screws or the 5/16" bolt, nut, lock and fender washers.
8. Install the left (#8158745) and right (#8158746) over-the-axle pipes to the mufflers using 2-1/2" clamps.
9. Install the left (#8158747) and right (#8158748) tail pipes to the over-the-axle pipes using 2-1/2" clamps.
10. Install the LB4 hanger and the grommet to the frame at the rear, after the axle, using the existing hole in the frame at the O.E. hanger bracket. Use the 5/16" x 1-1/2" bolt, nut, and lock washer, and the grommet. Use a 2-1/2" clamp to connect the hanger and the tail pipes. Cut the tail pipes to your desired length and look.
11. Make sure that all the parts of the system are clear of frame members, the cross member, driveshaft, floor, all hoses, suspension, and brake and fuel lines. Starting at the collector pipes, tighten all connections and nuts. Make sure all parts are clear and will not leak or rattle. After several days of driving retighten all bolts.



JEG'S
Performance Products

1-800-345-4545 **jegs.com**

Installation Instructions for 30503 2-1/2" Dual Exhaust Kit w/o Turbo Mufflers

Application: B-body, '68-'74 Charger, GTX, Coronet, Belvedere, Satellite, Roadrunner, Super Bee, R/T, all with V8, standard headers, and with 3" collectors at the headers.

NOTE: For those with 3-1/2" collectors, you will need to purchase an additional header collector kit.

NOTE: The headers and mufflers are not included in this kit!! We recommend use of Hooker Super Competition headers. Modifications may need to be made for different styles of headers, including cutting and welding. For vehicles with 3-1/2" collectors, you will need to order a 3-1/2" header collector kit, part # 30006.

Hardware Kit Includes:

- 6) 3/8" Lockwashers
- 14) 2-1/2" Clamps
- 7) 5/16" x 1" Bolts
- 1) 5/16" x 1" Lag Screw
- 2) BR104 Rubber Hangers
- 2) BR91930 Swinger Hangers
- 2) #MP48005 3" Collector Gaskets
- 3) BR755 Metal Hanger Brackets
- 6) 3/8" x 1-1/4" Bolts
- 7) 5/16" Lock Washers
- 2) Header Collectors 3"- 2-1/2"

Pipe Kit Includes:

- 1) Left Front Extension Pipe #8158721
- 1) Right Front Extension Pipe #8158722
- 1) Left Rear Extension Pipe #8158723
- 1) Right Rear Extension Pipe #8158724
- 1) Left Tail Pipe #8158727
- 1) Right Tail Pipe #8158728
- 1) Left Over-The-Axle Pipe #8158725
- 1) Right Over-The-Axle Pipe #8158726

O.E. hangers may be re-used. Hanger # BR91930 will need to be bent for fitment with an offset S-bend. For vehicles originally equipped with factory single exhaust, the additional BR755 hanger bracket will be necessary.

DANGER WARNING:

Should the purchaser decide to install this exhaust product at home, be warned that pleasure car or light duty truck/van "bumper" jacks are intended for emergency use only. The use of frame contact jack stands in conjunction with a floor jack as main support is highly recommended to minimize accidental dropping of a vehicle while the installation proceeds. We recommend the use of a shop hoist if possible. Please use caution!

Limitation of Liability–Disclaimers: The regulation of emissions production, noise levels and safety standards is undertaken by the federal government, each of the fifty state legislatures, and by many local municipalities, towns and counties.

The manufacturer makes no warranties of merchantability, of fitness for a particular purpose, or that its products are approved for general use, or that its products comply with laws, regulations or ordinances in the states where they may be sold to the ultimate purchaser, the consumer.

The entire risk as to the conformity of this product in any such state and as to repair, should the product prove to be defective or non-conforming, is on the retail purchaser, the buyer, the ultimate consumer of such product and it is not upon the seller, distributor, or manufacturer.

In this connection, retail purchaser, the buyer, the ultimate consumer assumes the burden of the entire cost of any and all necessary service, alterations, and or repair.

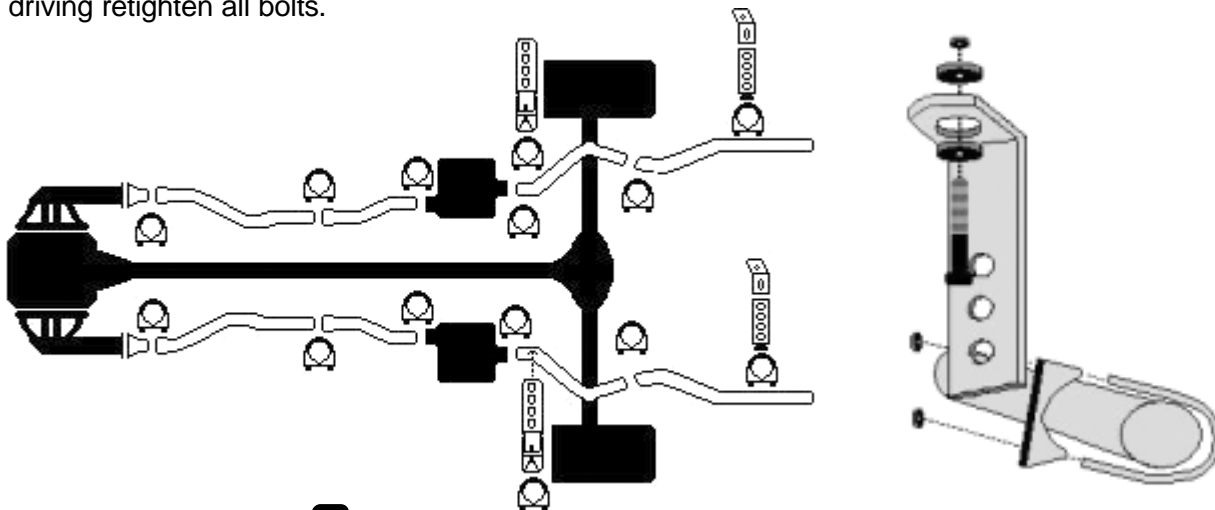
The foregoing statement limits the liability of the manufacturer.



1-800-345-4545 **jegs.com**

NOTE: DO NOT TIGHTEN ANY BOLTS OR CLAMPS UNTIL THE LAST STEP!

1. Raise the automobile in a safe and suitable manner. Support with jack stands onto the frame.
2. Remove the old exhaust system after the headers. Remove the old hangers and brackets if desired. New universal hangers are included in this kit to replace the original hangers.
3. Install the collectors to the headers using the MP48005 gaskets and F33 flanges, and enclosed hardware. Tighten at this time, using the 3/8" x 1-1/4" bolts and nuts.
4. Install the I.D. ends of the left (#8158721) and right (#8158722) front extension pipes to the collectors using 2-1/2" clamps. Be sure to leave adequate clearance between the floor boards, the drive shaft, and the crossmember. The left front extension pipe should just clear the recess in the crossmember. NOTE: If these pipes do not fit your headers, you may need to modify as necessary (cut and weld) for fit. These kits were designed for use with hooker super competition headers.
5. Install the I.D. ends of the left (#8158723) and right (#8158724) rear extension pipes to the left and right front extension pipes, using 2-1/2" clamps.
6. Install the mufflers (offset in, towards drive shaft/center out, not included in this kit) onto the rear extension pipes using 2-1/2" clamps. Rotate the extension pipes to clear the driveshaft, and frame, and general clearance.
7. Install the left (#8158725) and right (#8158726) over-the-axle pipes to the mufflers using 2-1/2" clamps.
8. Mount the hanger brackets if necessary (if you are not re-using the factory hangers) to the left and right O.E. mounts after the axle using the BR91930 hangers. These hangers will need to be bent in an offset S-bend for clearance, these hangers should be mounted to the O.E. mounts above using 5/16" x 1" bolts, nuts, and lock washers. Connect the hangers to the over-the-axle pipes using 2-1/2" clamps, just before the first bend in the over-the-axle pipe and just after the clamped joint at the muffler and over the axle pipe. NOTE: If your car was not equipped with factory dual exhaust, a hanger bracket (BR755) and lag screw will need to be installed as a mirror image of the right side O.E. to the floor board.
9. Install the left (#8158727) and right (#8158728) tail pipes to the over-the-axle pipes using 2-1/2" clamps. Use a 2-1/2" clamp to connect the pipes and an O.E. hanger at the rear, or install the BR755 bracket (if necessary, or re-use O.E.) to the vehicle, and a BR104 rubber hanger to the BR755 using 5/16" x 1" bolts, nuts, and lock washers. Cut the tail pipes to your desired length and look.
10. Make sure that all the parts of the system are clear of frame members, the cross member, driveshaft, floor, all hoses, suspension, and brake and fuel lines. Starting at the collector pipes, tighten all connections and nuts. Make sure all parts are clear and will not leak or rattle. After several days of driving retighten all bolts.



Installation Instructions for 30505 2-1/2" Dual Exhaust Kit w/o Turbo Mufflers

Application: E-body, 1970-1974 Challenger, Barracuda, all with V8, standard headers, and with 3" collectors at the headers.

NOTE: For those with 3-1/2" collectors, you will need to purchase an additional header collector kit.

NOTE: The headers and mufflers are not included in this kit!! We recommend use of Dynomax headers for this application. Modifications may need to be made for different styles of headers, including cutting and welding, or extra length pipes. For vehicles with 3-1/2" collectors, you will need to order a 3-1/2" header collector kit, part # 30006.

Hardware Kit Includes:

- | | |
|------------------------|----------------------------------|
| 2) ST4 Metal Hangers | 6) 5/16" Lock Washers |
| 2) Fender Washers | 2) #MP48005 3" Collector Gaskets |
| 6) 5/16" Nuts | 2) Header Collectors 3"- 2-1/2" |
| 2) Lag Screws | 2) 5/16" x 1-1/2" Bolts |
| 12) 2-1/2" Clamps | 4) 5/16" x 1" Bolts |
| 2) F33 Flanges | 2) Angle Bracket Hangers #2825 |
| 6) 3/8" Nuts | 2) BR104 Rubber Hangers |
| 6) 3/8" Lockwashers | 2) BR4 Metal Hanger Bracket |
| 6) 3/8" x 1-1/4" Bolts | 2) Snapper Grommets |

DANGER WARNING:

Should the purchaser decide to install this exhaust product at home, be warned that pleasure car or light duty truck/van "bumper" jacks are intended for emergency use only. The use of frame contact jack stands in conjunction with a floor jack as main support is highly recommended to minimize accidental dropping of a vehicle while the installation proceeds. We recommend the use of a shop hoist if possible. Please use caution!

Limitation of Liability–Disclaimers: The regulation of emissions production, noise levels and safety standards is undertaken by the federal government, each of the fifty state legislatures, and by many local municipalities, towns and counties.

The manufacturer makes no warranties of merchantability, of fitness for a particular purpose, or that its products are approved for general use, or that its products comply with laws, regulations or ordinances in the states where they may be sold to the ultimate purchaser, the consumer.

The entire risk as to the conformity of this product in any such state and as to repair, should the product prove to be defective or non-conforming, is on the retail purchaser, the buyer, the ultimate consumer of such product and it is not upon the seller, distributor, or manufacturer.

In this connection, retail purchaser, the buyer, the ultimate consumer assumes the burden of the entire cost of any and all necessary service, alterations, and or repair.

The foregoing statement limits the liability of the manufacturer.



1-800-345-4545 **jegs.com**

NOTE: DO NOT TIGHTEN ANY BOLTS OR CLAMPS UNTIL THE LAST STEP!

1. Raise the automobile in a safe and suitable manner. Support with jack stands onto the frame.
2. Remove the old exhaust system after the headers. Remove the old hangers. New universal hangers are included in this kit to replace the original hangers.
3. Install the collectors to the headers using the MP48005 gaskets and F33 flanges, and enclosed 3/8" hardware. Tighten at this time, using the 3/8" x 1-1/4" bolts, nuts, and lock washers.
4. Install the I.D. ends of the left (#8158731—2 bends) and right (#8158732—1 bend) front extension pipes to the collectors using 2-1/2" clamps. Be sure to leave adequate clearance between the floor boards, the drive shaft, and the cross-member. NOTE: If these pipes do not fit your headers, you may need to modify as necessary (cut and weld) for fit. These kits were designed for use with Dynomax headers.
5. Install the I.D. ends of the left (#8158733—2 bends) and right (#8158734—3 bends) rear extension pipes to the left and right front extension pipes, using 2-1/2" clamps.
6. On the passenger side of the exhaust, you will need to install the ST4 metal hanger to the O.E. mounting hole above using a 5/16" x 1-1/2" bolt, nut, lock washer and snapper grommet. On certain models the end with the large hole of the hanger may need to be bent at a 90 degree angle to mount properly. Install the BR4 bracket to the ST4 metal hanger using a 5/16" x 1 bolt, nut, lock washer. Repeat for the driver's side. If you have the factory dual exhaust and the O.E. hanger mounting hole, you will need to bend the hanger as before. If you have factory single exhaust and no driver's side O.E. mounting hole, use the ST4 hanger as it is, and mount to the cross member above, near the same type of location on the opposite side. You will need to drill a 5/16" hole. Repeat the rest for the bracket using the appropriate hardware.
7. Install the left (#8158735) and right (#8158736) over-the-axle pipes to the rear extension pipes using 2-1/2" clamps. Use 2-1/2" clamps to connect the over-the-axle pipes to the BR4 brackets above.
8. Install the mufflers (offset in, towards drive shaft/center out, not included) onto the rear extension pipes using 2-1/2" clamps. Rotate the pipes for general clearance.
9. Mount the angle bracket hangers to the frame at the O.E. hole for the hanger in the frame at the rear, using the original bolts, or a lag screw. If you had factory single exhaust and no O.E. hanger at the rear on the driver's side, you will need to drill a hole in the frame in approximately the same location as that on the passenger side. Attach a BR104 hanger to this angle bracket hanger for both sides using 5/16" x 1" bolts, lock washers, nuts, and fender washers.
10. Install the left and right (#8158737) turndowns to the mufflers using 2-1/2" clamps. Connect these clamps to the BR104 hanger that was mounted in step 9).
11. Make sure that all the parts of the system are clear of frame members, the cross member, driveshaft, floor, all hoses, suspension, and brake and fuel lines. Starting at the collector pipes, tighten all connections and nuts. Make sure all parts are clear and will not leak or rattle. After several days of driving retighten all bolts.

