

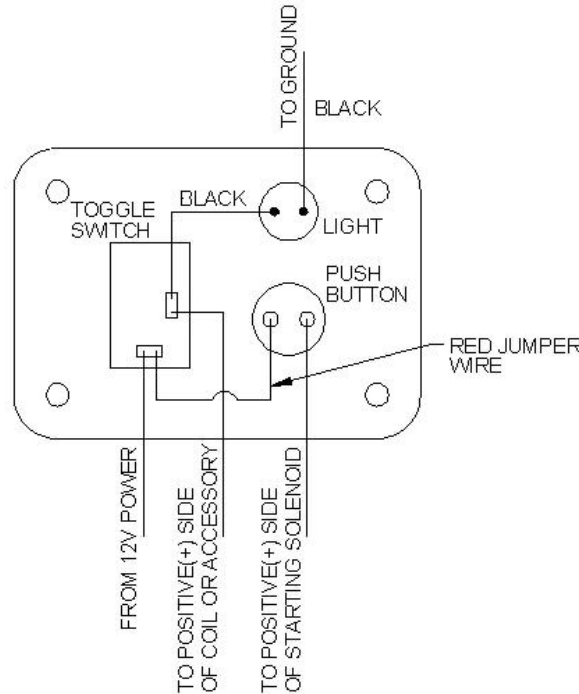
# Installation Instructions for 11000 & 11001 Ignition Panel, 2-1/2" x 3-1/2"

## Installation Instructions:

1. Using the panel as a template, mark the location of the four mounting holes.
2. Carefully drill four holes in the locations you marked using a 13/64" drill bit.
3. Install four(4) supplied flat head screws, washers & lock nuts.
4. Tighten and secure the panel in place.

## If you have purchased part #555-11001, please continue the following steps:

5. Slide the toggle switch through the 1/2" hole above 'IGNITION' from behind. Be sure the keyway in the switch is facing down.
6. Install the switch cover over the toggle switch, and tighten down using the toggle switch nut or bezel.
7. Unscrew the push button rubber cover from the push button switch. Leaving the jamb nut on, slide the push button switch through the 5/8" hole above 'START' from behind. Screw the rubber cover back on, and adjust the height of the push button switch by loosening/tightening the jamb nut on the back side.
8. Slide the indicator light through the 1/2" hole above the start button until it clicks or is fully seated against the panel.
9. Use the wiring diagram below to finish the installation:



## Ignition panel components can be purchased separately from JEG'S:

20 AMP toggle switch.....	#555-11020
Lighted toggle switch.....	#555-11022
LED indicator lamp.....	#555-11024
Toggle switch cover.....	#555-11025
Push button starter switch.....	#555-10310



1-800-345-4545 [jeps.com](http://jeps.com)